



INT NETLINK's Past Projects

IT Equipment for Afghanistan Government Department

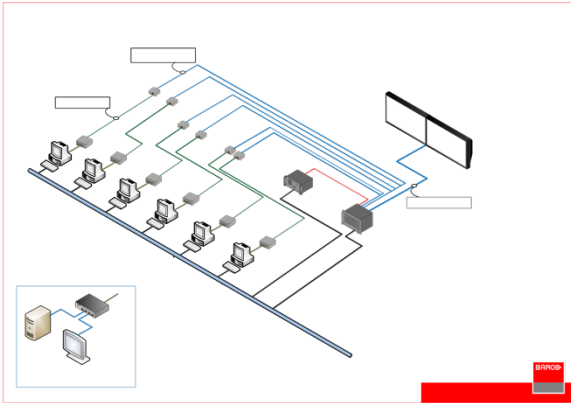
Afghanistan



This document details the solution provided to Government department . This was a complete supply and integration of the following items to the existing Network and resources of the department.

a) BARCO Network Operation Center (NOC)

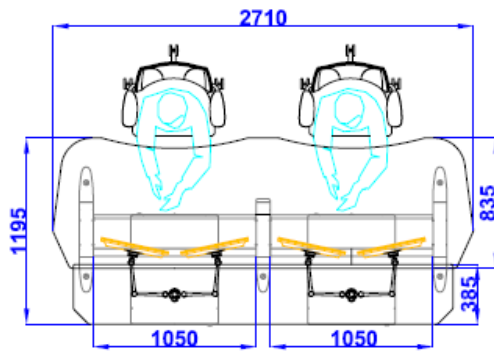
Supply and installation of Barco NSL 4601 - 46" WXGA narrow-bezel LCD for video wall applications with Direct view LCD SPVA, normally black, DID technology for extensive usage (No permanent burn in for use under 20 hours/day) AIR Anti Image Retention circuitry



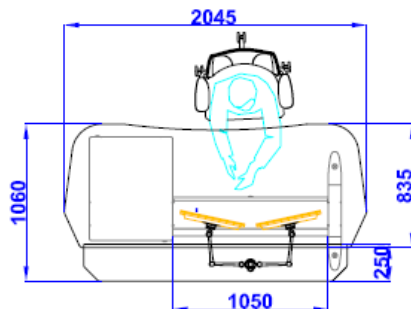
b) Network Operator Consoles

The Operator console with the following

- Lateral Console Feet With Logo
- Intermediate Console Feet
- Sliding Corner Boards of 1450mm+1 Central Board of 1350mm
- Cable Duct for Cable Management With Aluminum Profiles
- UK Type Sockets Per Operator Installed in The Aluminum Profiles
- Adjustable Arm for 1 screen per operator, Gourmet mounting
- Underneath Rack 11U for Computer storage, with Fix Shelf



Manager's Desk



c) Backup and Database

Supply and integration of

- MS SQL Licenses to the existing servers in the National Data Center
- Symantec Backup Upgrade with the additional License
- Upgradation of HDD and SAN connectivity path for the existing Servers at National Data center